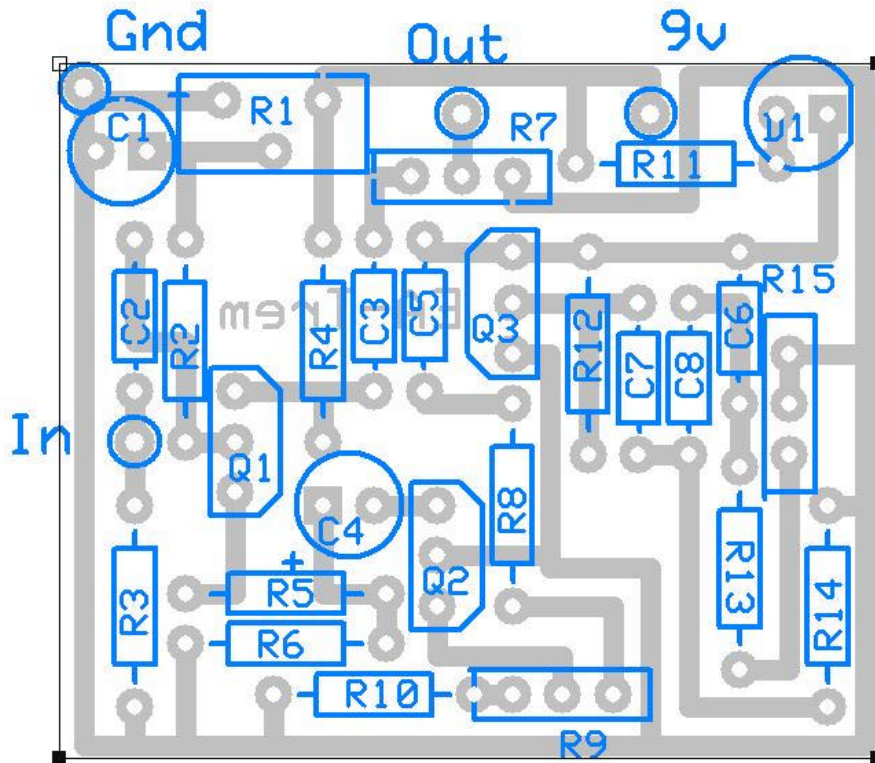


"EA Tremolo" by runoffgroove.com

PCB layout by Pablo De Luca (aka Gringo)

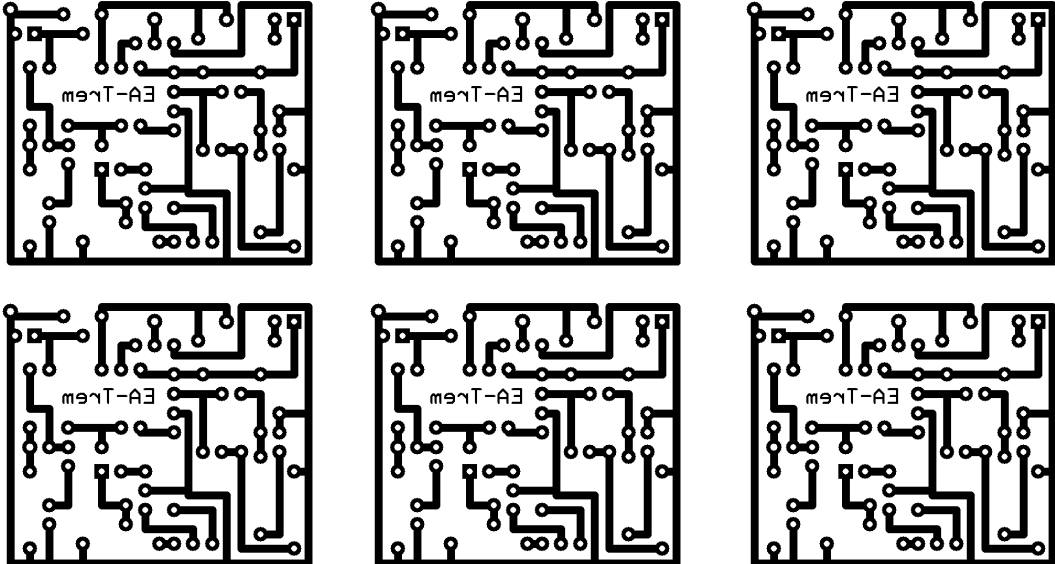
Version 1.2 June 13, 2006



Parts List:

Capacitors	Resistors	Semiconductors
C1 47uF	R1 100k trim	D1 Led
C2 .1	R2 1M	Q1 BS170
C3 .47	R3 1M	Q2 J201/MPF102
C4 22uF	R4 4k7	Q3 2n5088
C5 .47	R5 180	
C6 1uF	R6 1k2	
C7 1uF	R7 100k A Vol	
C8 1uF	R8 120k	
	R9 250k B Depth	
	R10 68k	
	R11 10k	
	R12 2M2	
	R13 1k	
	R14 15k	
	R15 100k RA Rate	

Transfers:



Board Dimensions: 41.28mm x 34.93mm (1.625" x 1.375")