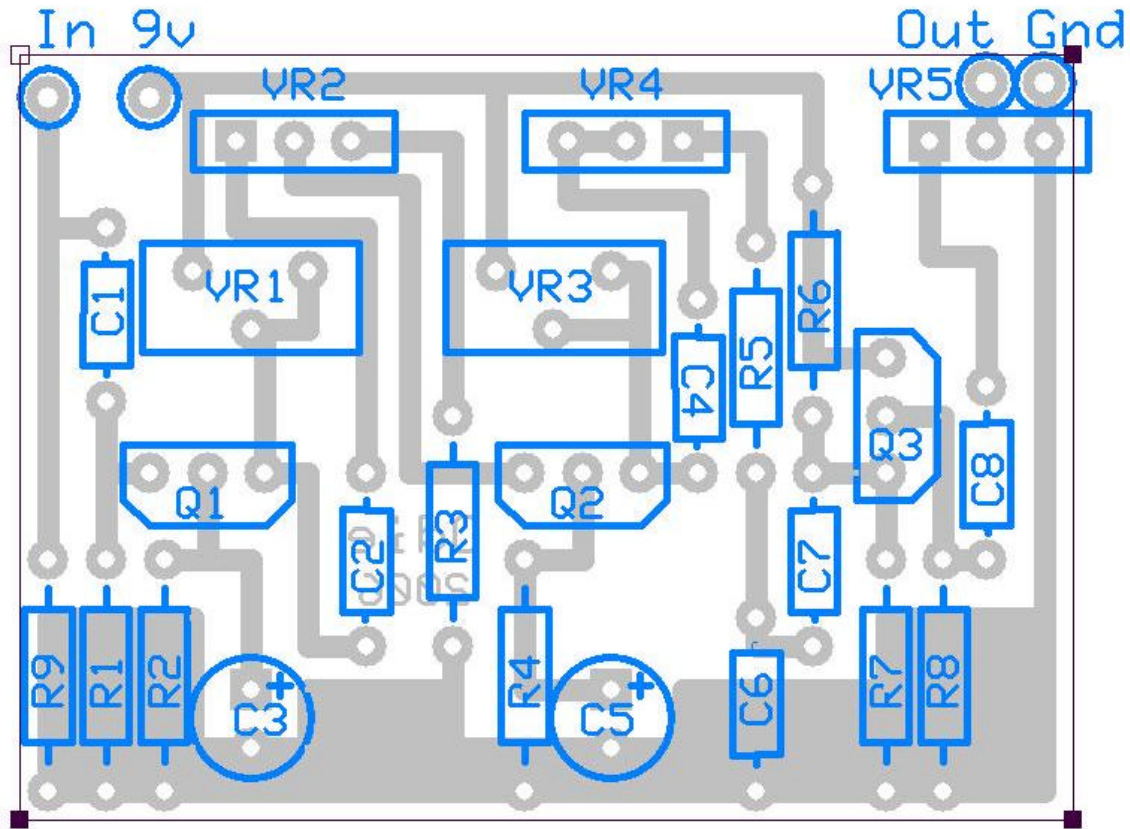


# "Odie" by runoffgroove.com

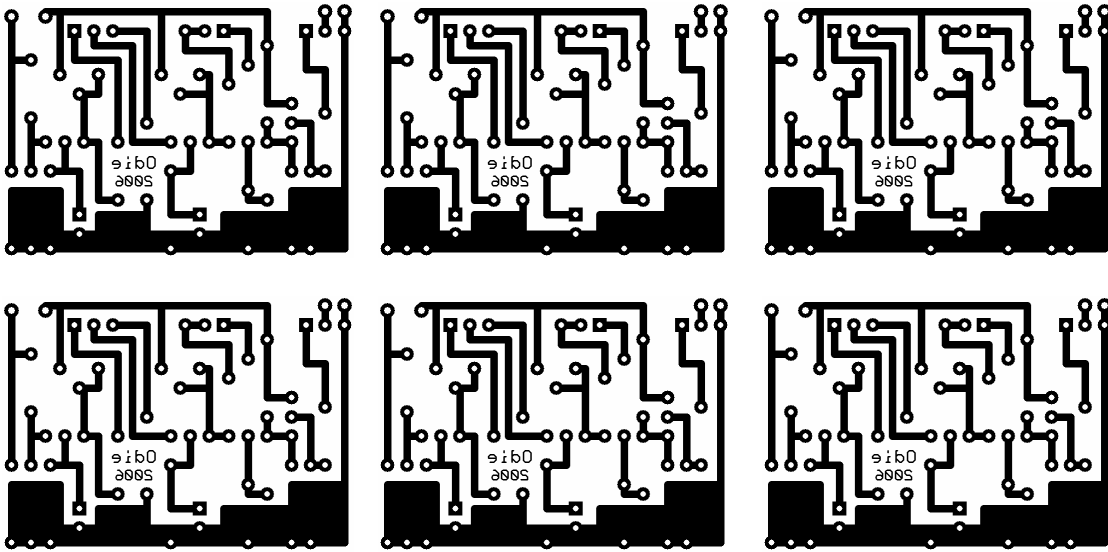
PCB layout by Pablo De Luca (aka Gringo)  
Version 1.0 February 27, 2006



## Parts List:

| Capacitors | Resistors        | Semiconductors        |
|------------|------------------|-----------------------|
| C1 1n      | R1 1M            | Q1 J201 or other jfet |
| C2 3n3     | R2 1k            | Q2 J201 or other jfet |
| C3 4u7     | R3 22k           | Q3 J201 or other jfet |
| C4 6n8     | R4 1k            |                       |
| C5 2u2     | R5 3k            |                       |
| C6 3n3     | R6 1M            |                       |
| C7 1n      | R7 1M5           |                       |
| C8 22n     | R8 10k           |                       |
|            | R9 1M            |                       |
|            | VR1 100k trim    |                       |
|            | VR2 250k A Drive |                       |
|            | VR3 100k trim    |                       |
|            | VR4 100k B Tone  |                       |
|            | VR5 100k A Vol   |                       |

**Transfers:**



**46.36mm x 33.66mm (1.825" x 1.325") aprox.**