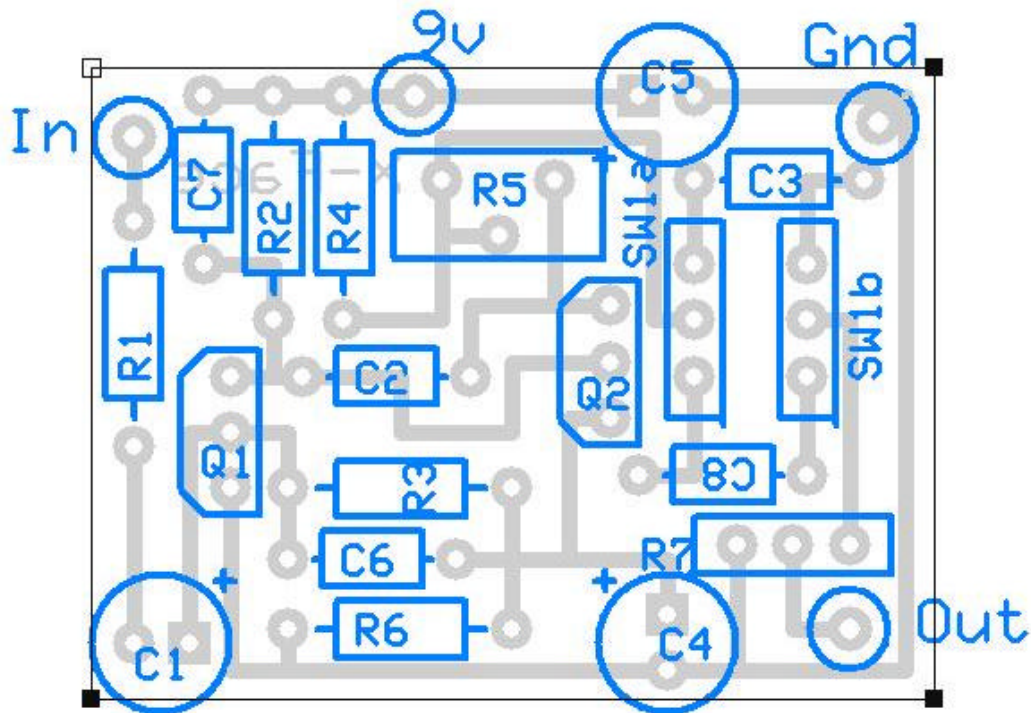


# "Sili-Face I, Sili-Face II & Tantalus Project" by runoffgroove.com

PCB layout by Pablo De Luca (aka Gringo)

Version 1.1 June 29, 2004



## Parts List:

### Siliface I

Capacitors	Resistors	Semiconductors	Misc
C1 4.7uF	R1 10k	Q1 NPN Si	Sw1 *
C2 100p	R2 100k	Q2 NPN Si	
C3 .047	R3 100k		
C4 47uF	R4 4k7		
C5 100uF	R5 10k trim		
C6 empty	R6 1k		
C7 empty	R7 100k A Vol		
C8 empty			

## Siliface II

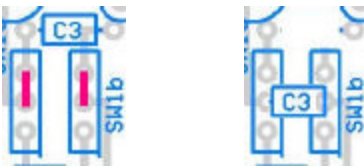
Capacitors	Resistors	Semiconductors	Misc
C1 .01	R1 18k	Q1 NPN Si	Sw1 *
C2 470p	R2 100k	Q2 NPN Si	
C3 .047	R3 51k		
C4 4.7uF	R4 4k7		
C5 100uF	R5 10k trim		
C6 .001	R6 1k		
C7 empty	R7 100k A Vol		
C8 empty			

## Tantalus Project

Capacitors	Resistors	Semiconductors	Misc
C1 .22	R1 1k	Q1 NPN Si	Sw1 DPDT switch
C2 120p	R2 33k	Q2 NPN Si	
C3 .01	R3 47k		
C4 22uF	R4 1k5		
C5 empty	R5 10k		
C6 empty	R6 2k2		
C7 47p	R7 100k A Vol		
C8 .0027			

\* When building the Sili-Face I or II, jumper the top and middle lug of each switch half (a), or just place C3 in the middle lugs(b).

a)                      b)



## Transfers:

